

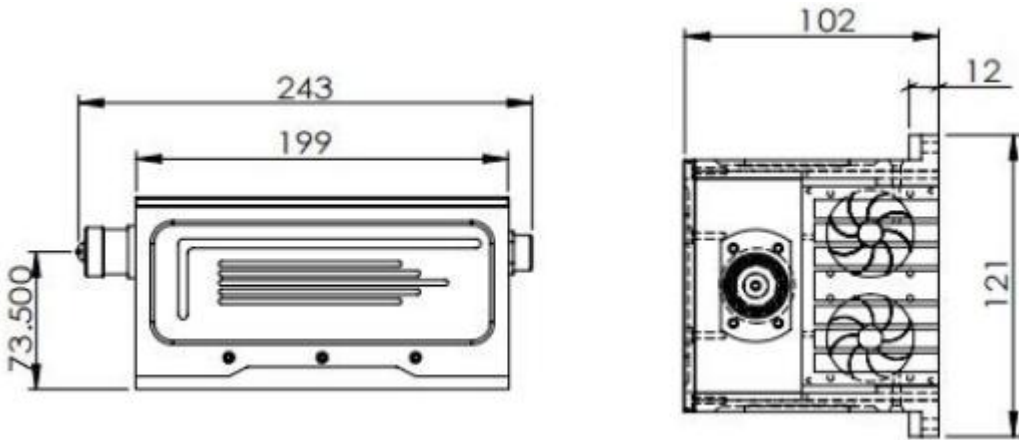


## G545D1000-243x121x102-FC

### Applications

- Laser Medical Treatment
- Scientific Experiment
- Optical Instrument
- Laser Display

### Dimensions (Unit: mm)



### Specifications

Model Number		G545D1000-243x121x102-FC		
Mechanical Specifications		Min	Typ	Max
Laser Head	Width x Height (mm)	-	121x102	-
	Length (mm)	-	243	-
	Weight (g)	-	-	2700
Housing Material		Black Anodized Aluminum		
Optical Specifications		Min	Typ	Max
Wavelength (nm)		543	545	547
Output Power (mW)		900	1000	-
Power Stability at const. Temperature <sup>(1)</sup>		-	+/- 3%	+/-5%
Output Power Mode		CW		
Laser Class		4		

<sup>(1)</sup> after max. 10 minutes

<b>Beam Specifications</b>		<b>Min</b>	<b>Typ</b>	<b>Max</b>
Beam Mode Longitude		Multi		
Residual IR		-	-	3%
<b>Fiber Specifications</b>		<b>Min</b>	<b>Typ</b>	<b>Max</b>
Fiber Type		200um fiber core diameter with 3mm loose tube		
Numerical Aperture		-	0.22	-
Fiber Length (m)		-	1	-
Fiber Termination		FC/PC connector		
<b>Electrical Specifications</b>		<b>Min</b>	<b>Typ</b>	<b>Max</b>
Power Supply		100-240VAC		
Power Consumption (W)		-	60	-
Power Size	Width x Height (mm)	-	120x110	-
	Length (mm)	-	310	-
	Weight (g)	-	1950	-
<b>Reliability</b>		<b>Min</b>	<b>Typ</b>	<b>Max</b>
Operating Temperature Range (°C)		15	25	35
Warm-up Time (minutes)		-	-	10
Storage Temperature (°C)		0	-	40
Environmental Humidity (RH, %)		5	-	85
Lifetime (hours) (MTTF at 25°C)		5,000	-	-

**Picture 1**

